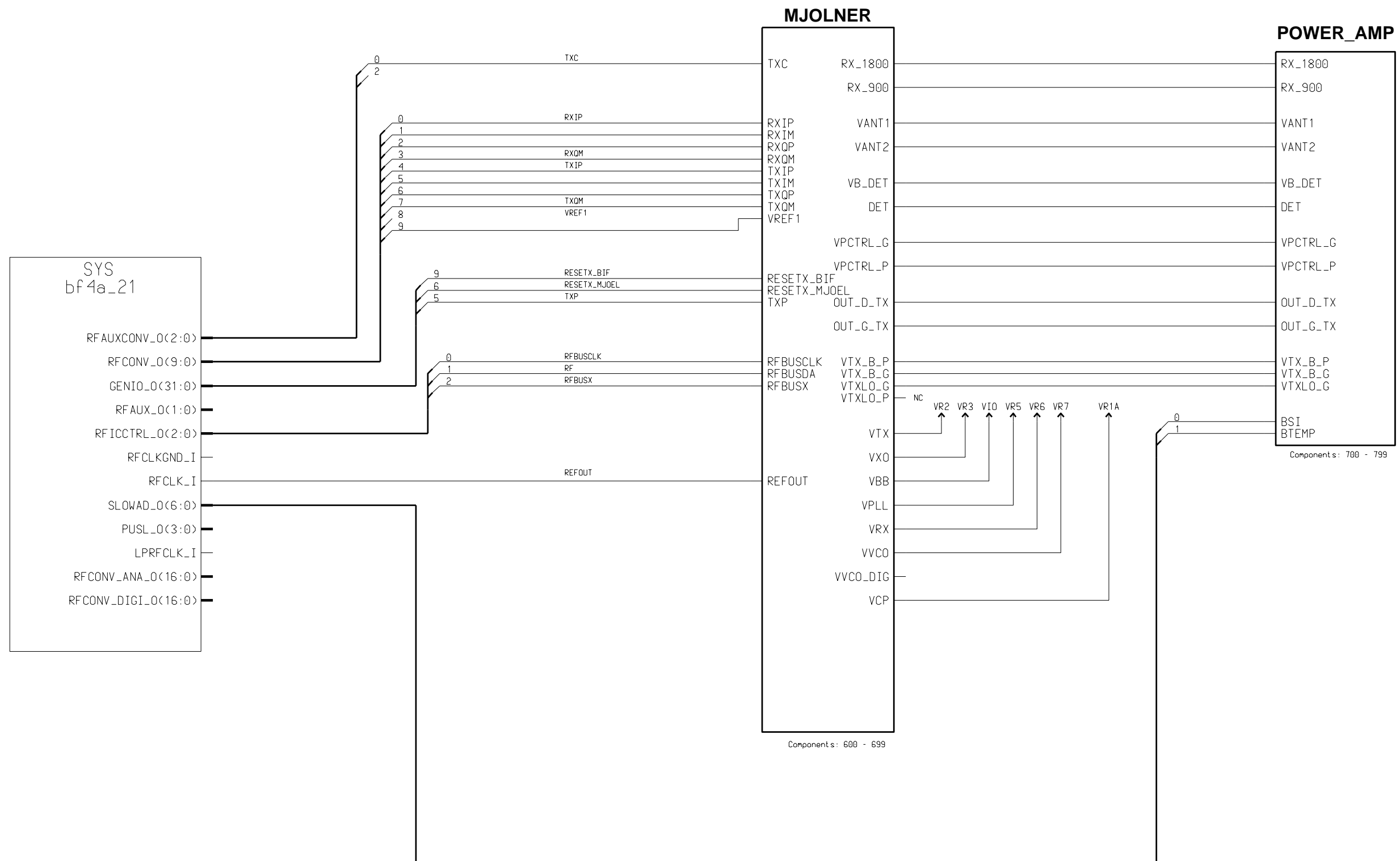
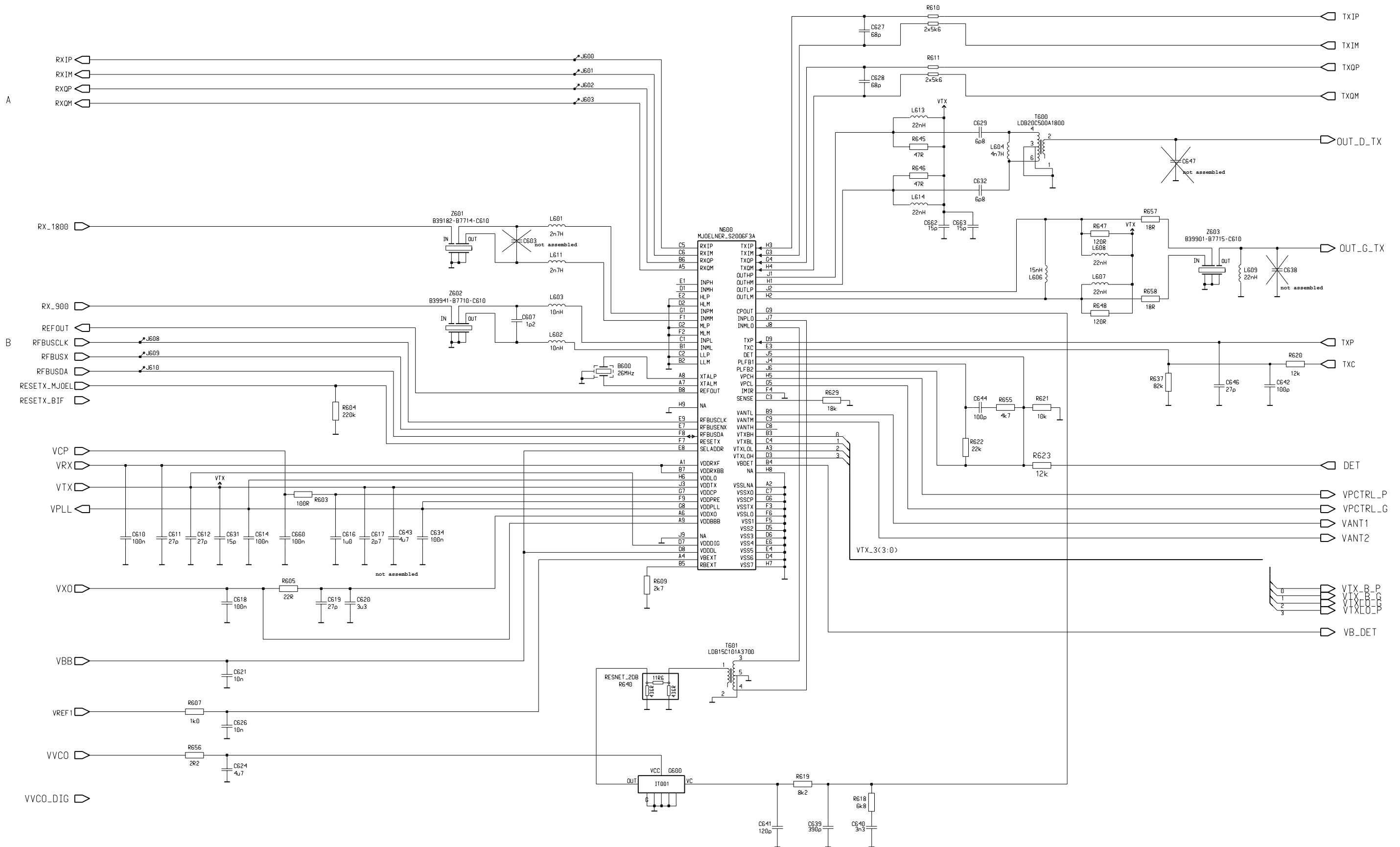


RF & BB

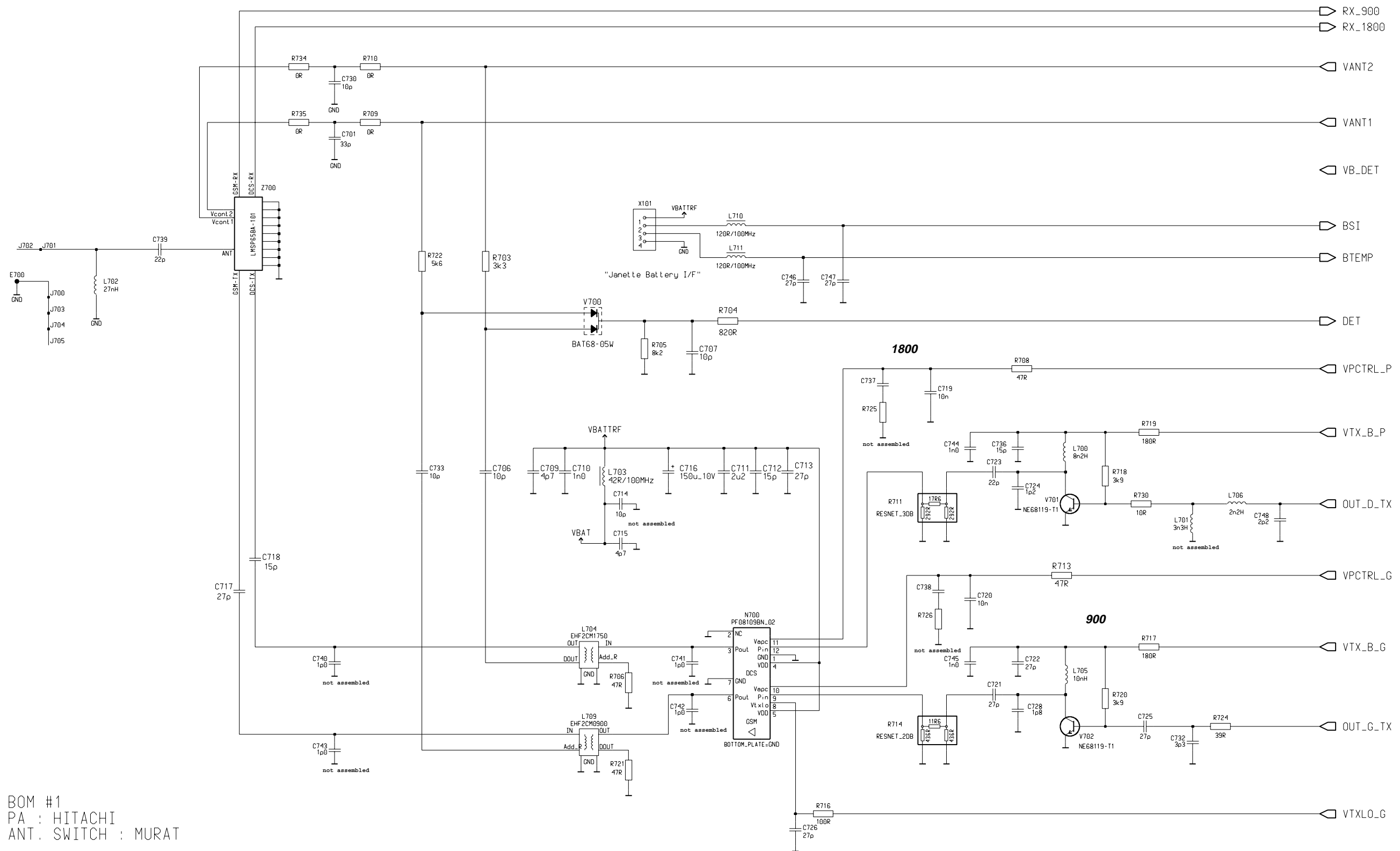


Mjoelner

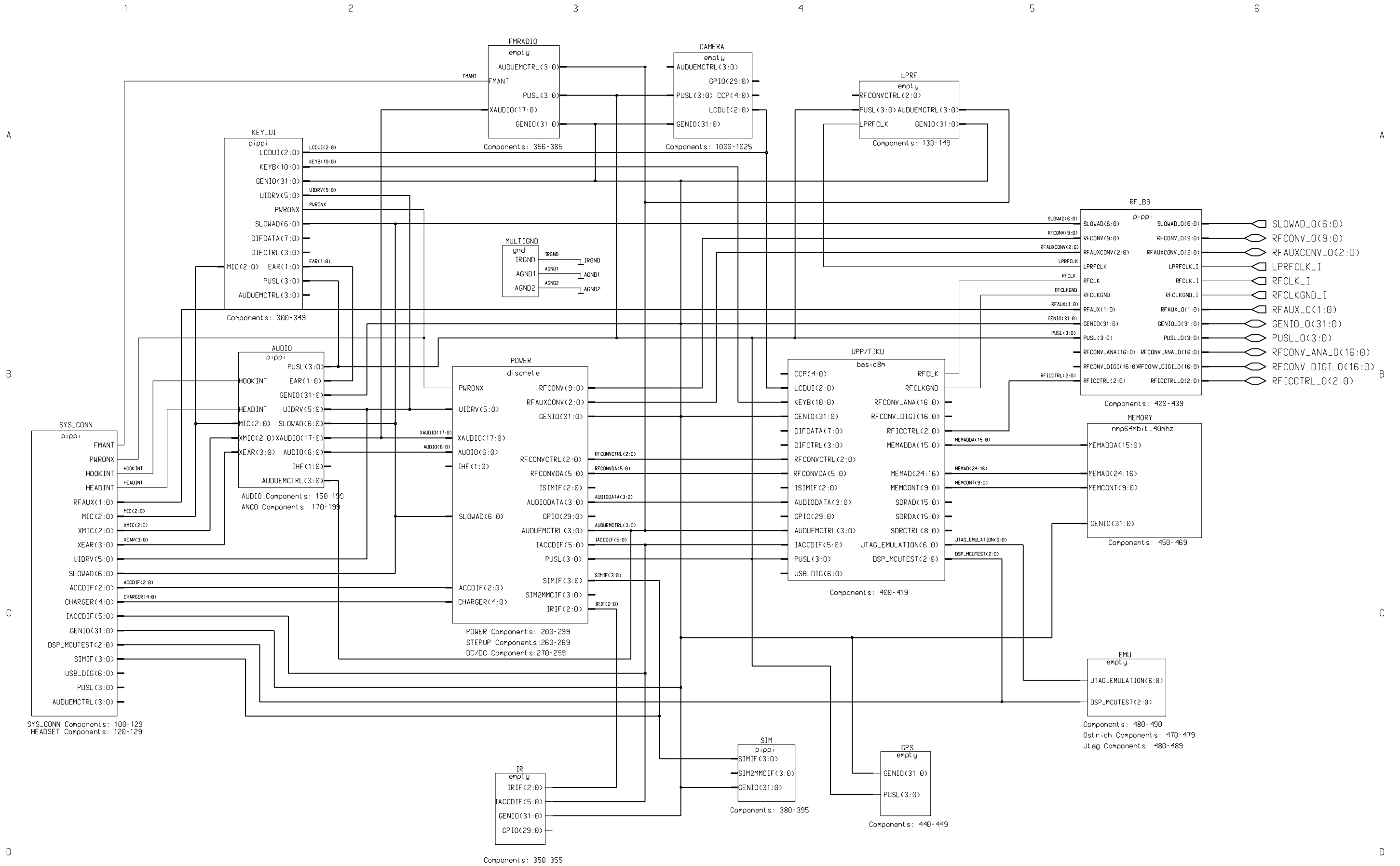


24:33

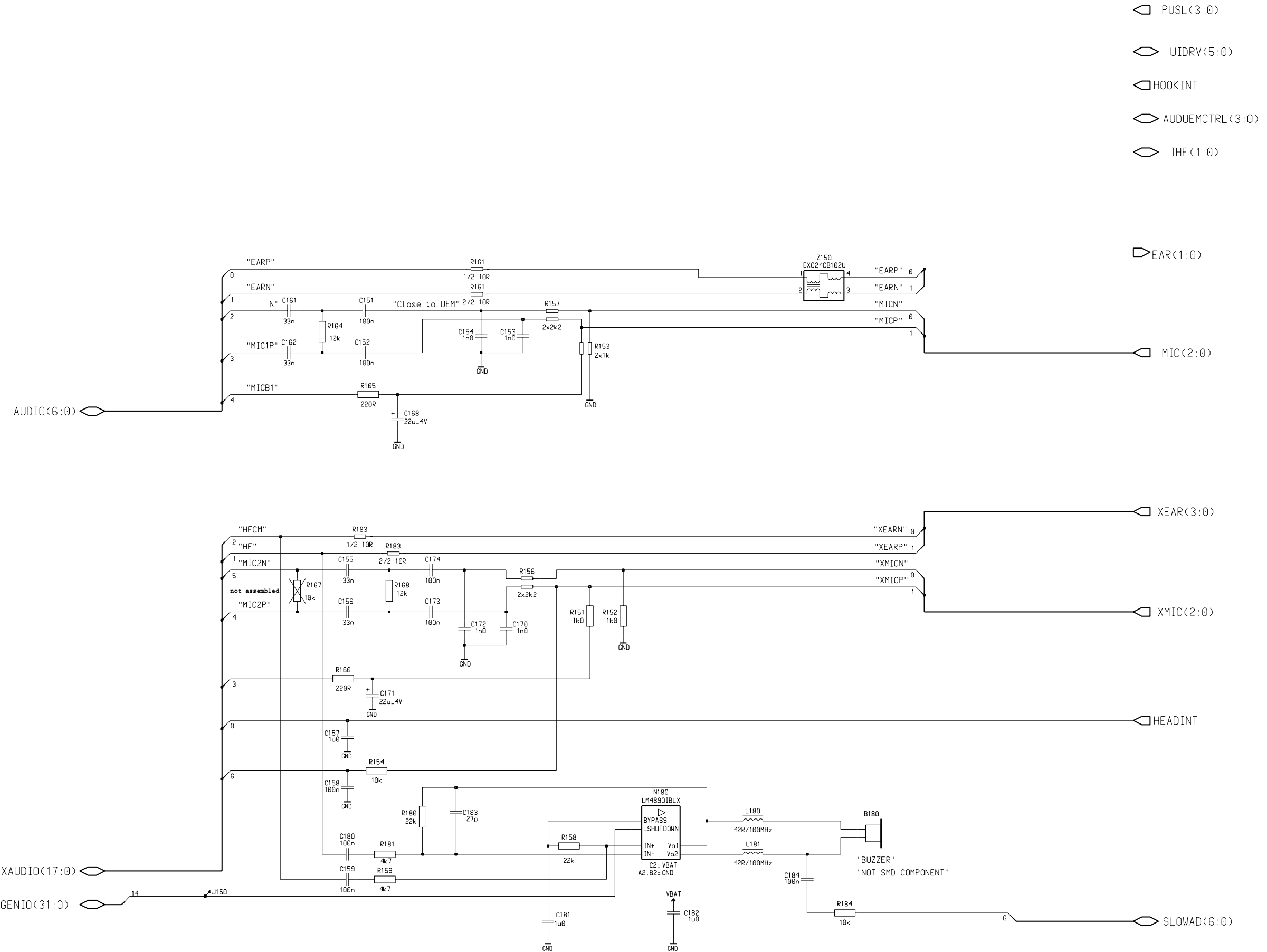
# Power Amplifier



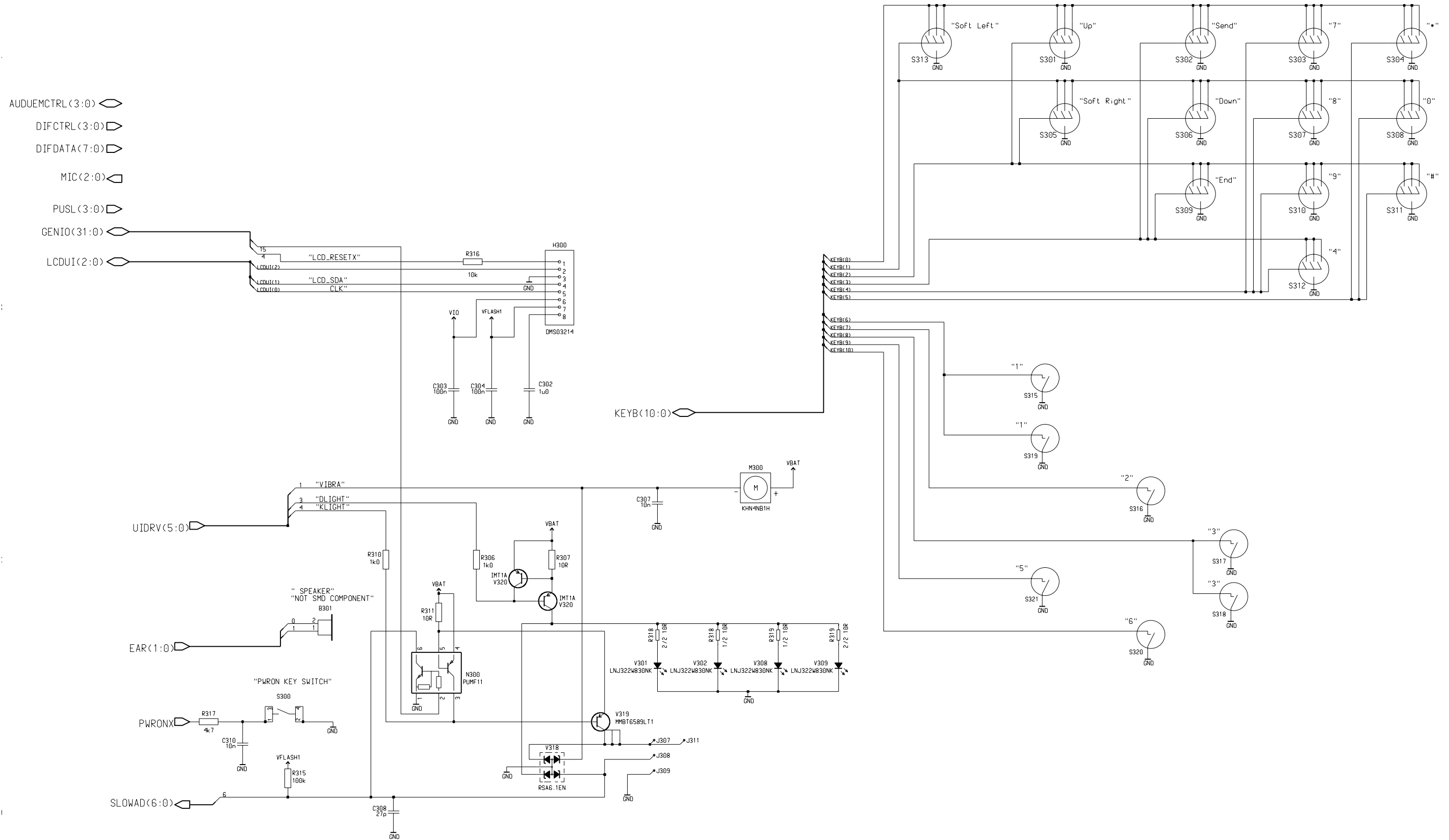
System



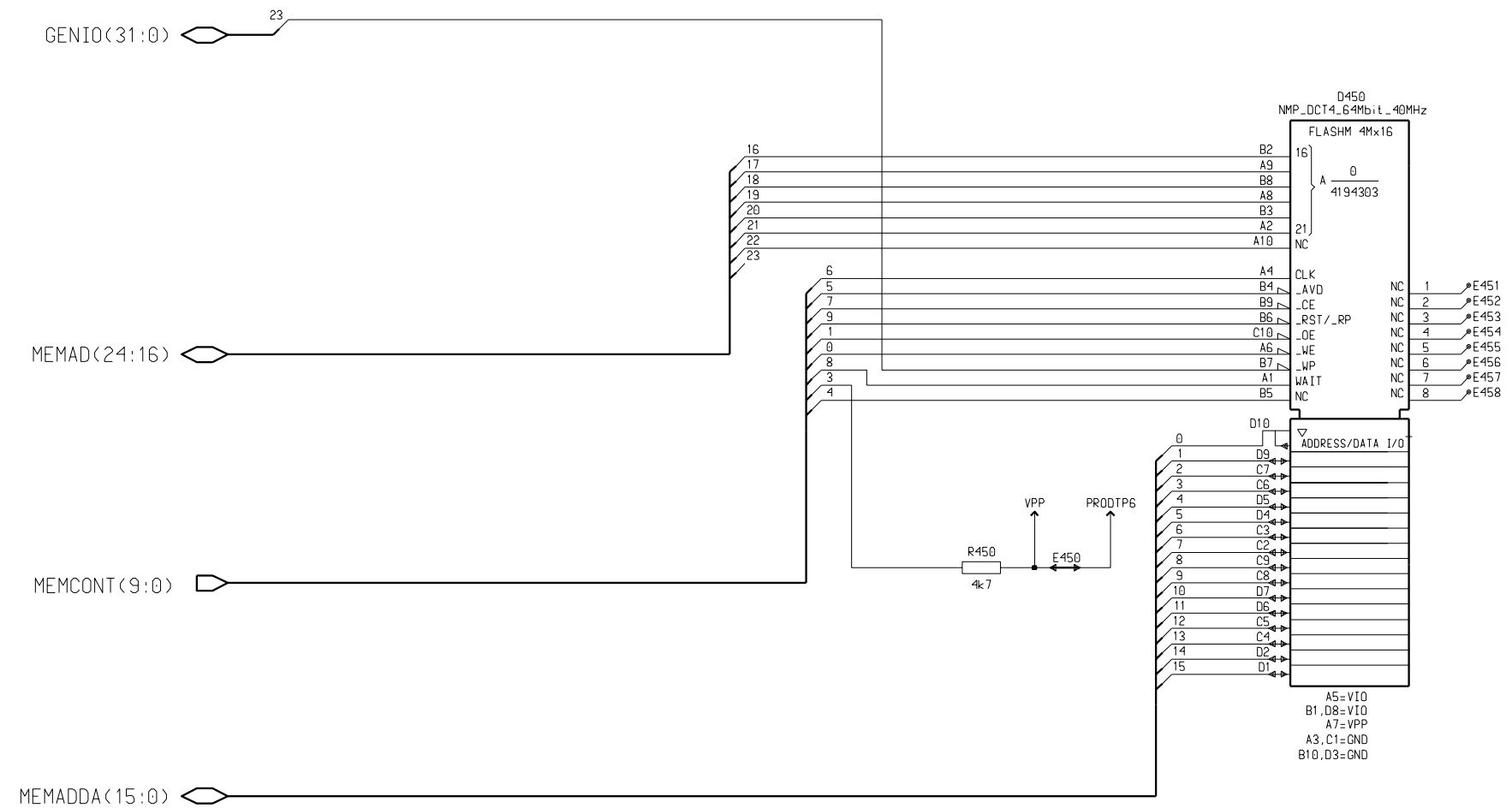
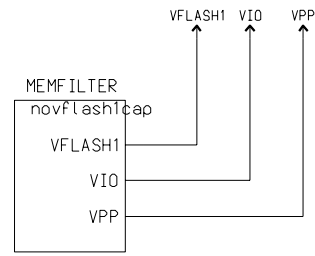
# Audio Interface



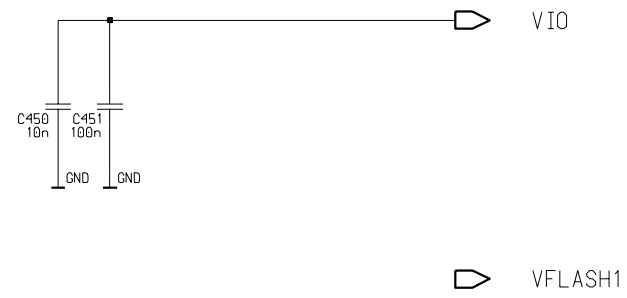
# Key User Interface



# Flash Memory

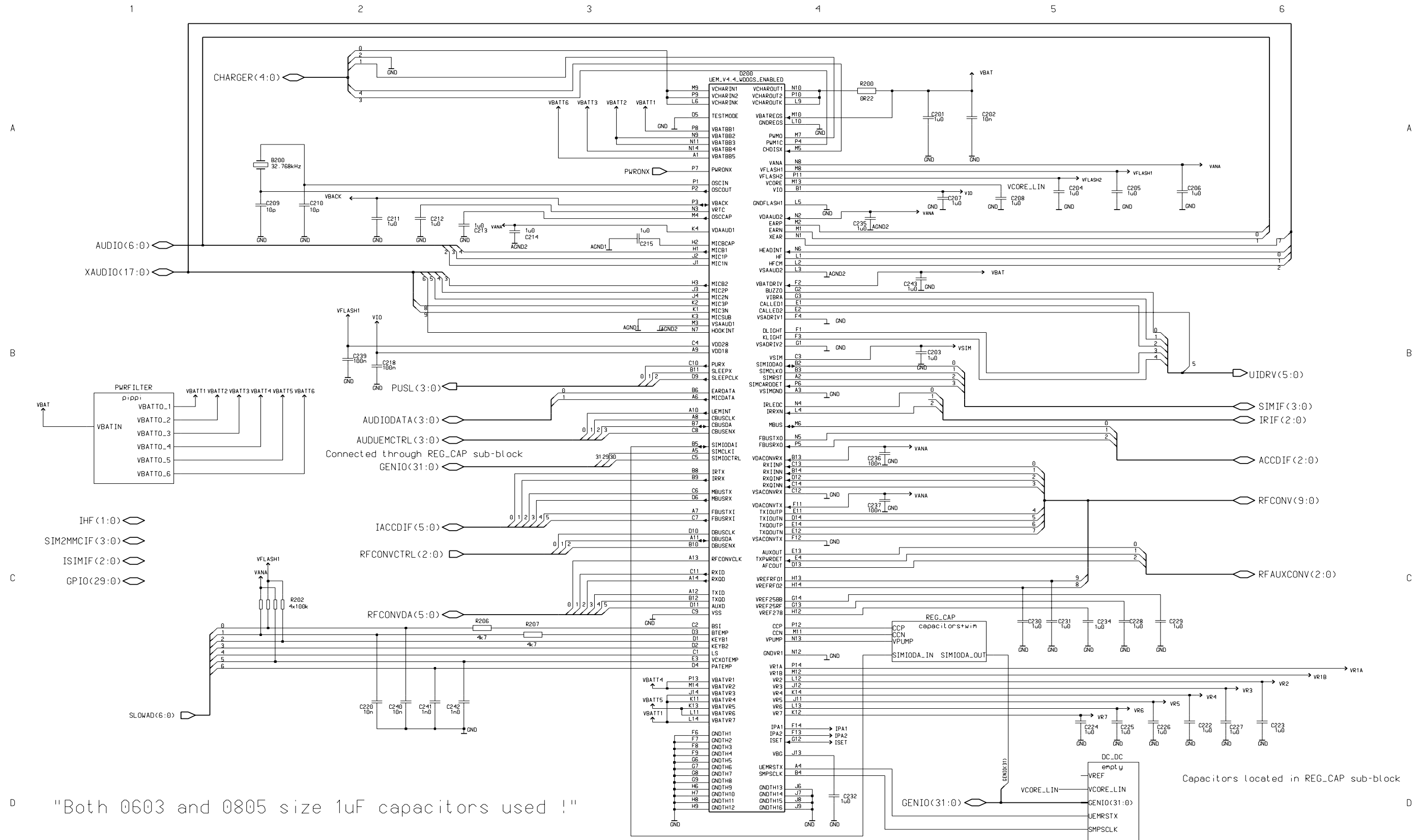


# Memory filter





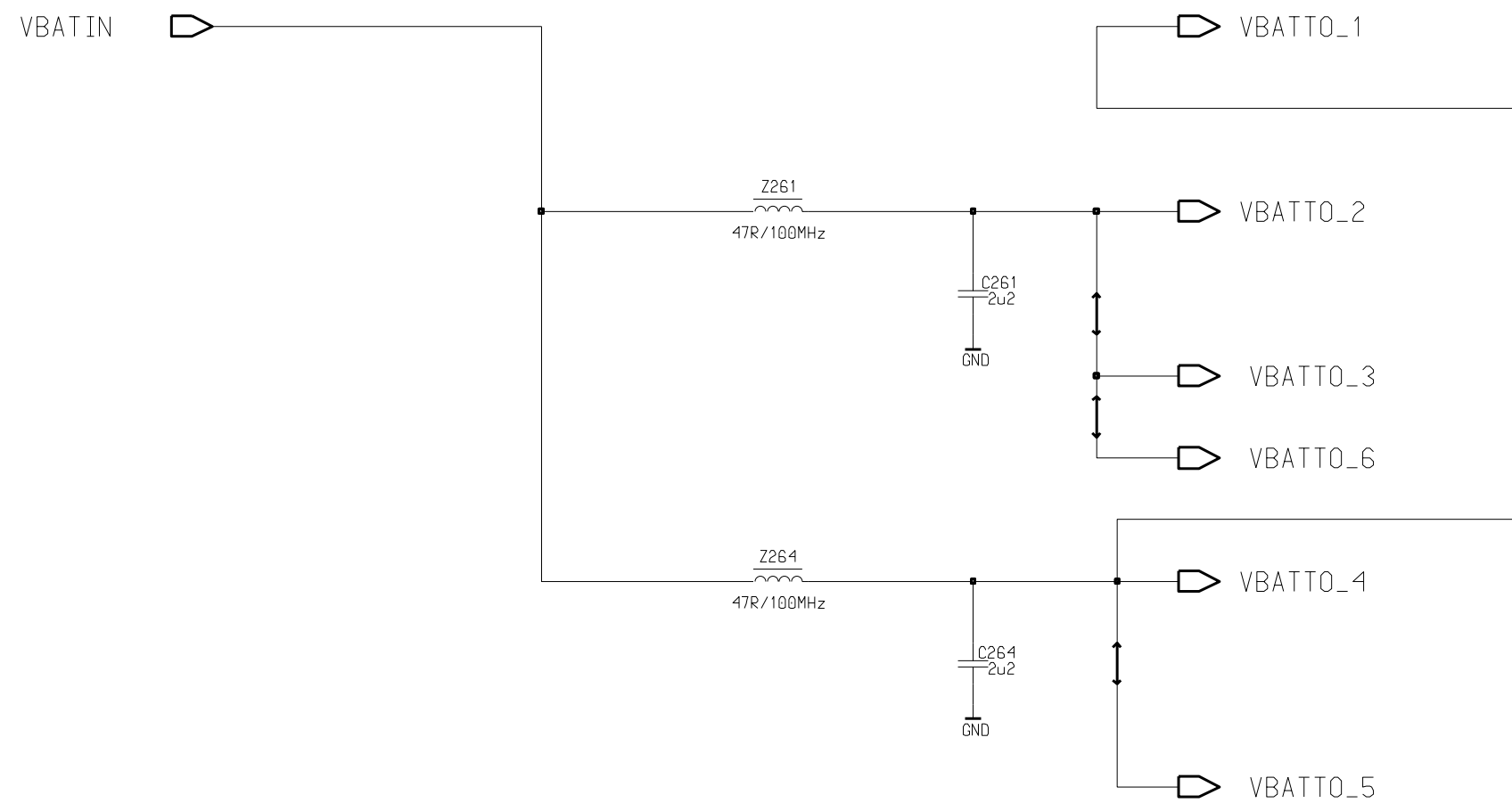
# System - Discrete Power Mangement



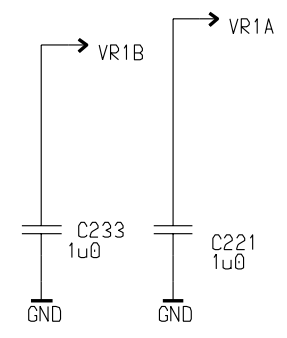
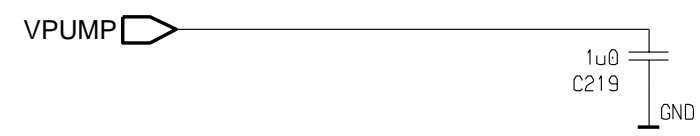
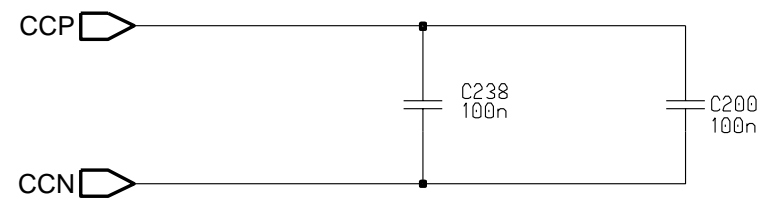
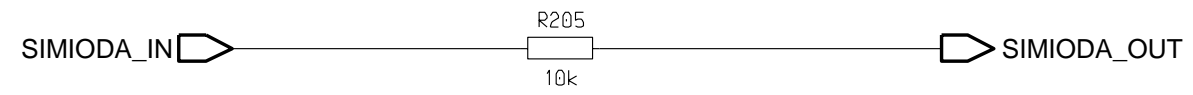
"Both 0603 and 0805 size 1uF capacitors used !"

Used refs in REG\_CAP: C238, C200, C219, C233, C221 and R205

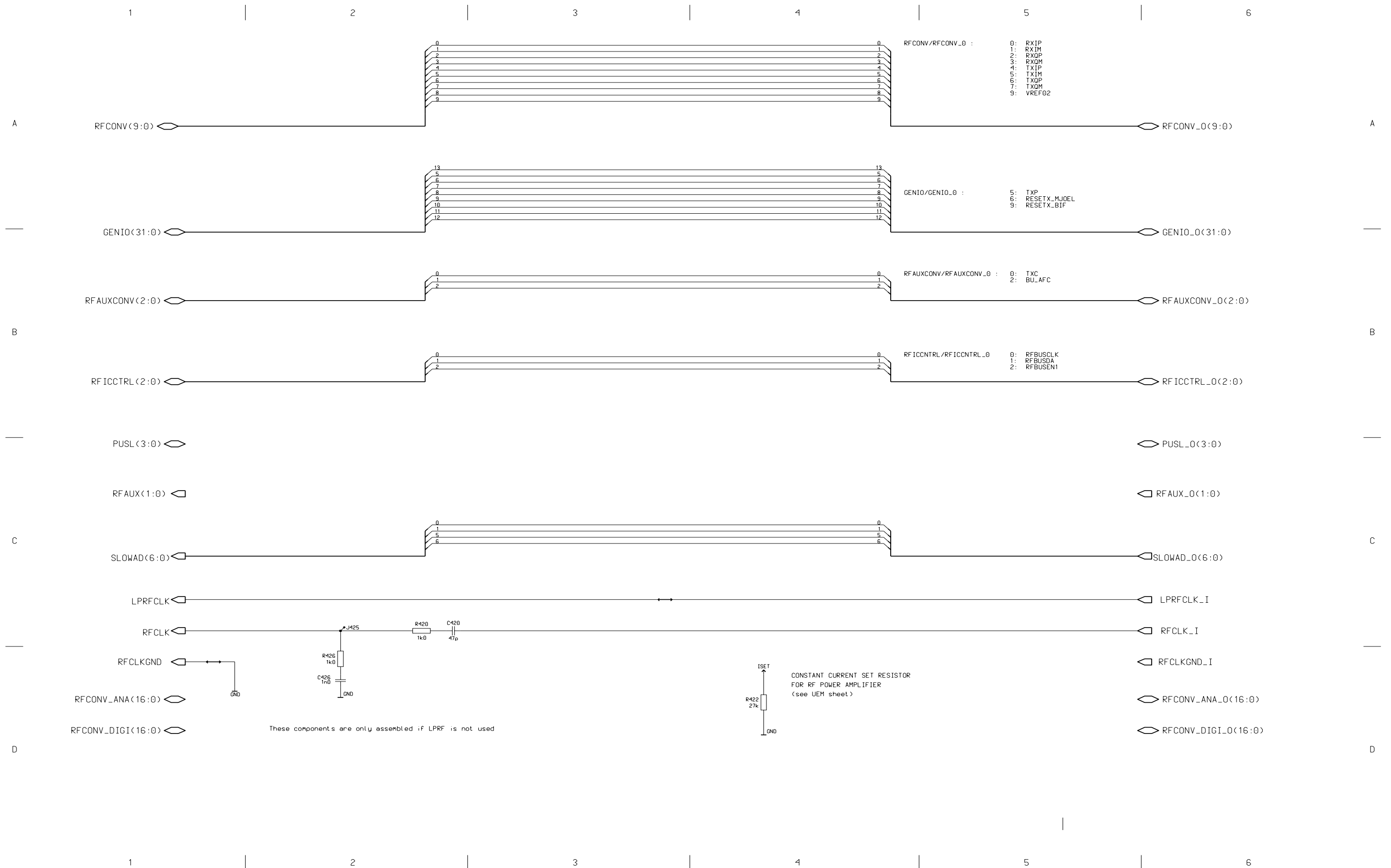
# UEM Power filter



# Charge Pump Capacitors

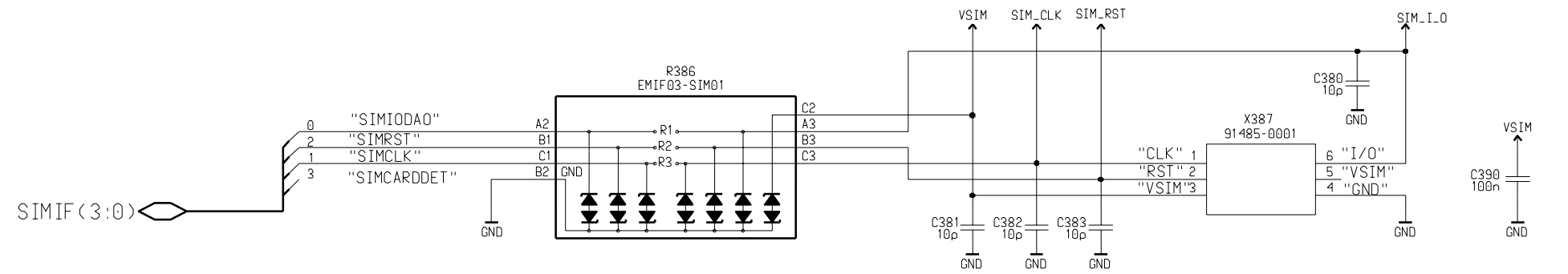


RF - BB Interface



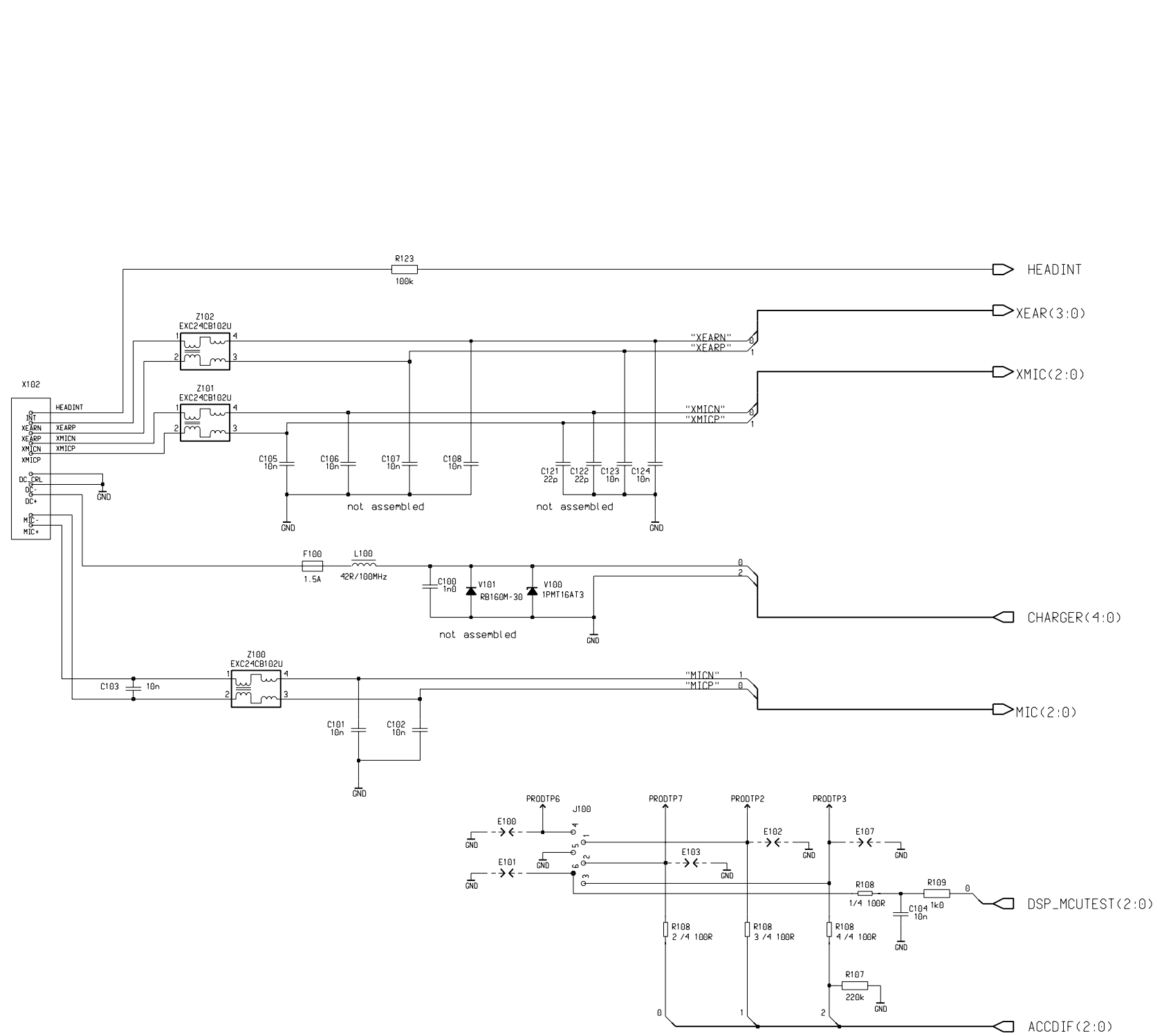
24:33

SIM Reader



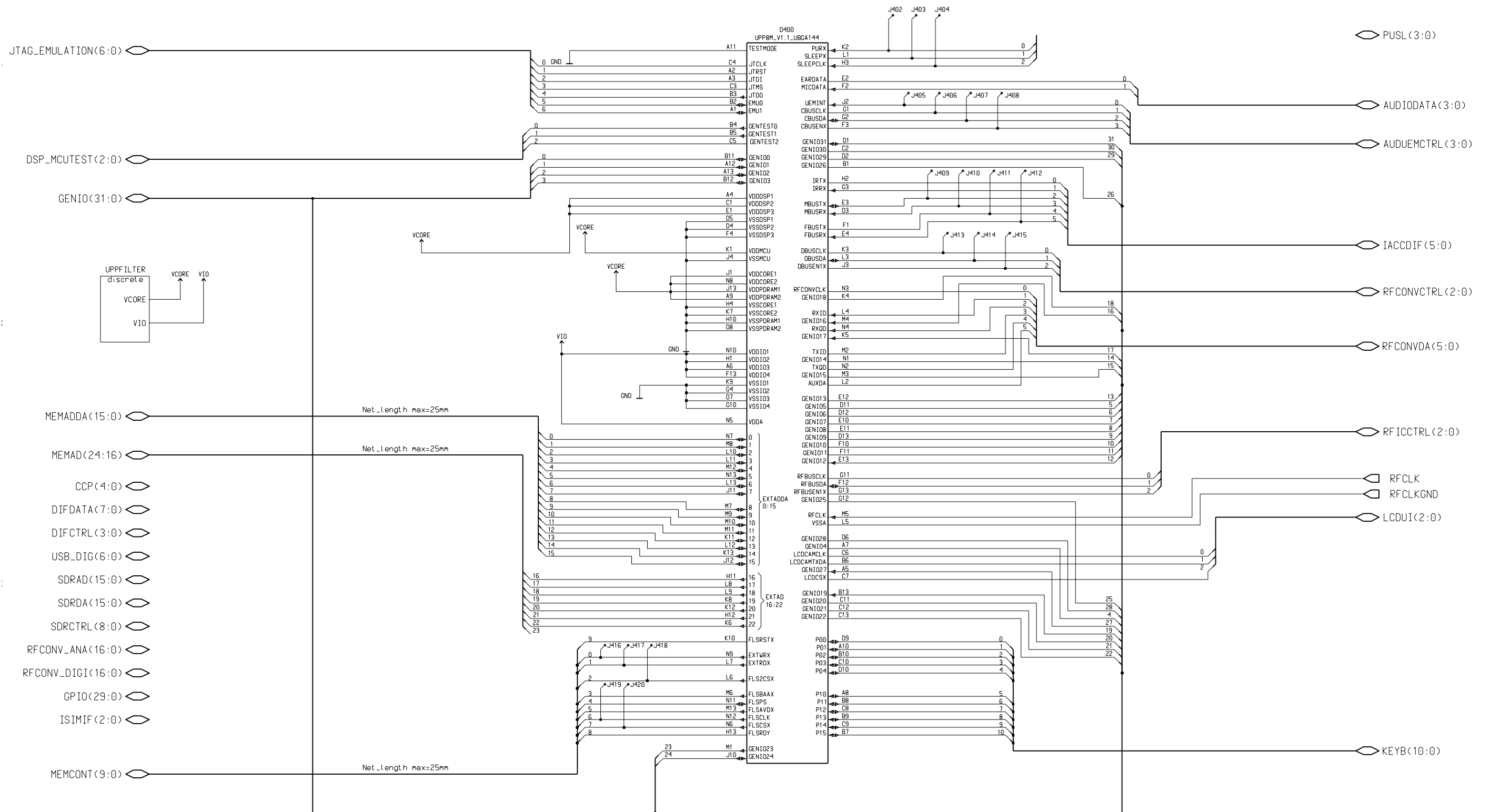
X38	
CLK	I/O
RST	VCC
VCC	GND

# System Connector

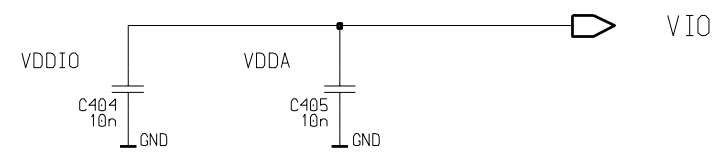
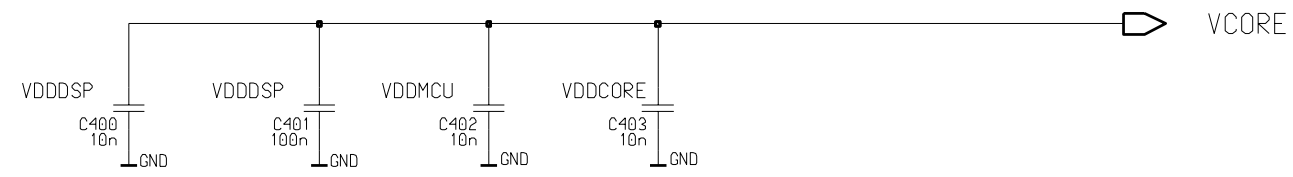


- ◁ UIDRV(5:0)
- ◁ IACCDIF(5:0)
- ◁ RFAUX(1:0)
- ▷ PWRONX
- ◁ SIMIF(3:0)
- ▷ HOOKINT
- ◁ GENIO(31:0)
- ▷ FMANT
- ▷ SLOWAD(6:0)
- ◁ USB\_DIG(6:0)
- ◁ PUSL(3:0)
- ◁ AUDUEMCTRL(3:0)

UPP

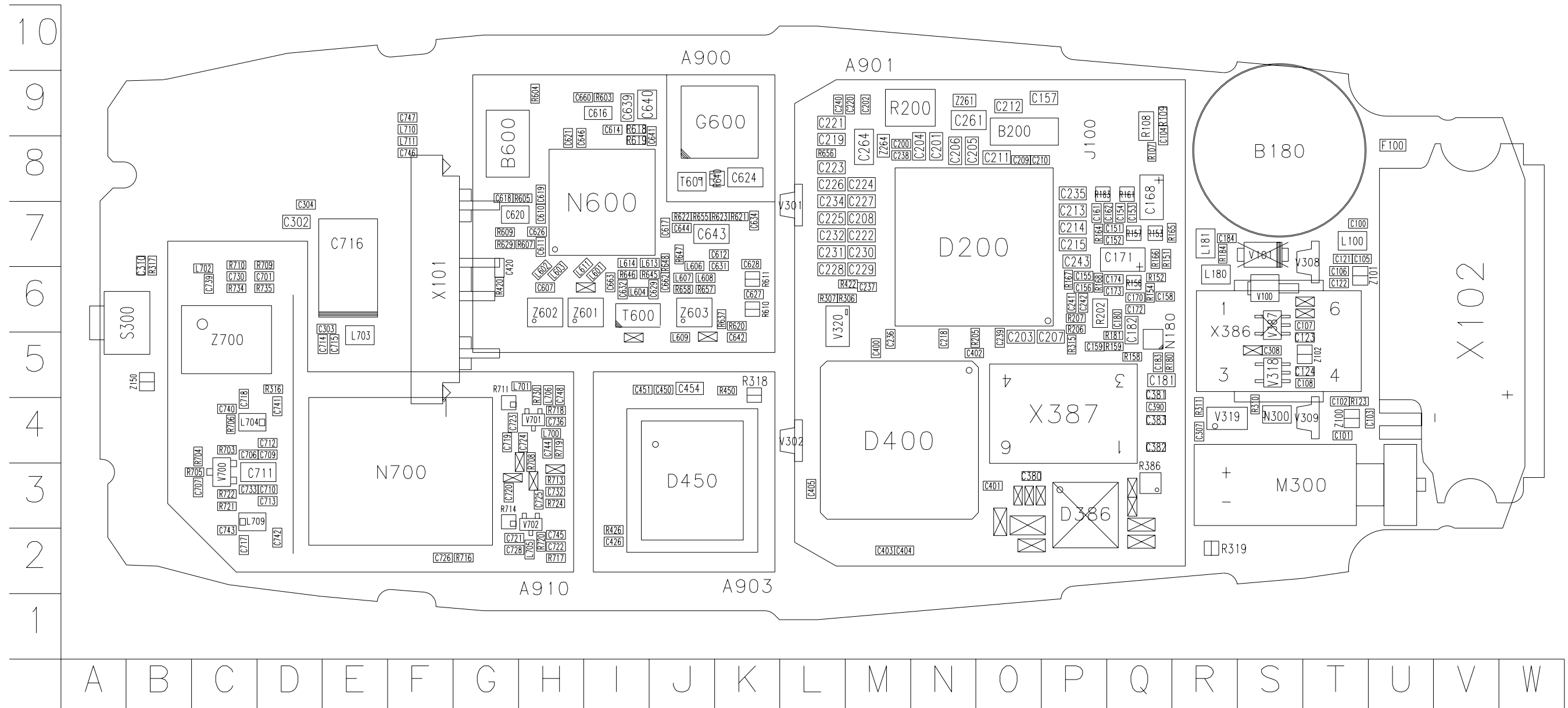


# Discrete decoupling capacitors





# Layout Diagram of BF4A - Top



# Layout Diagram of BF4A - Bottom

